



ENTRUST

Sigma DS Card Printers Quick Install Guide

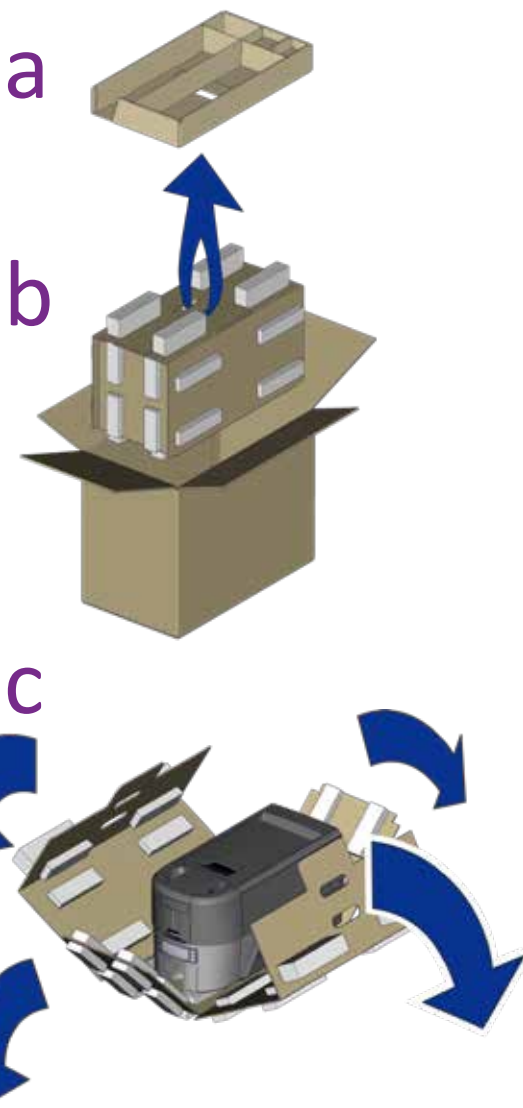


Do not continue unpacking this box until you have read these instructions.

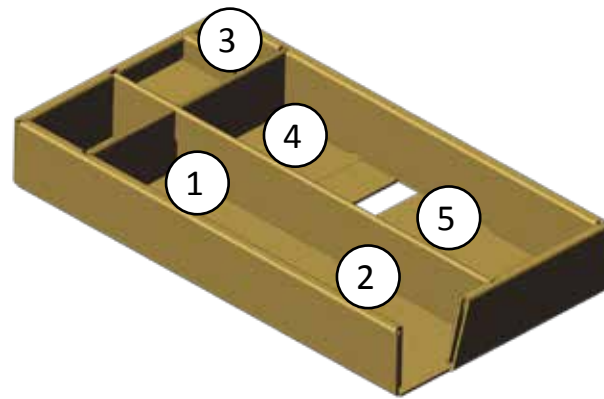


Read and follow these instructions to set up your Sigma printer.

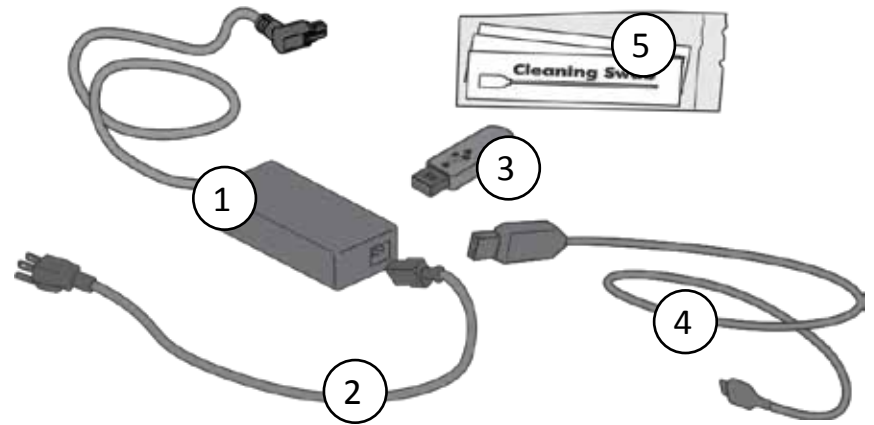
1



d

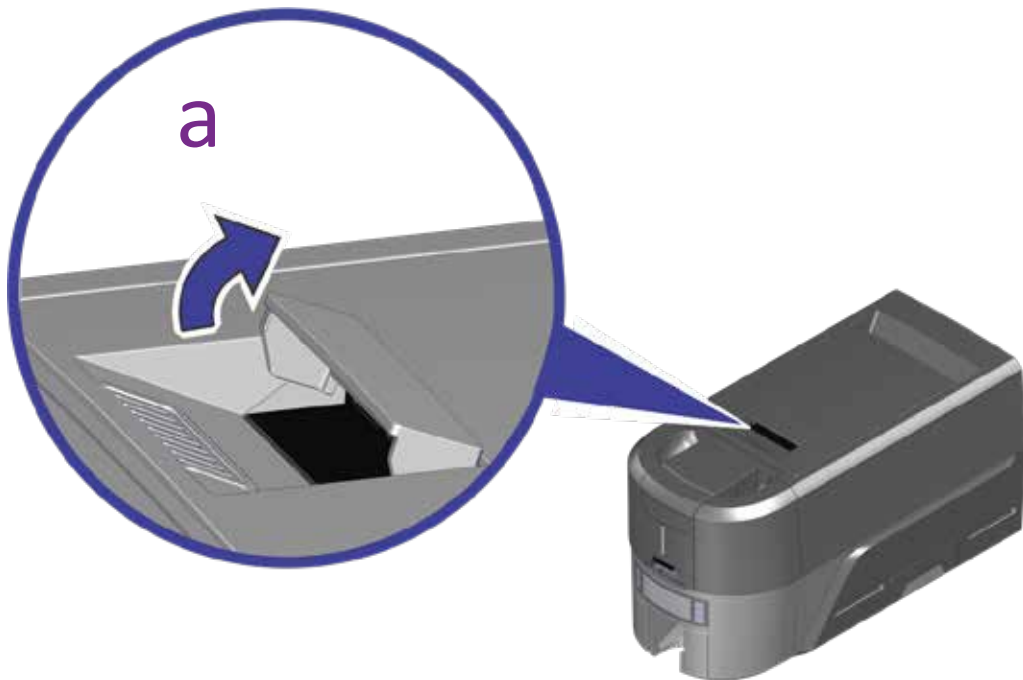


- 1 Power supply
- 2 Power cord
- 3 USB flash drive
- 4 USB cable
- 5 Cleaning swabs

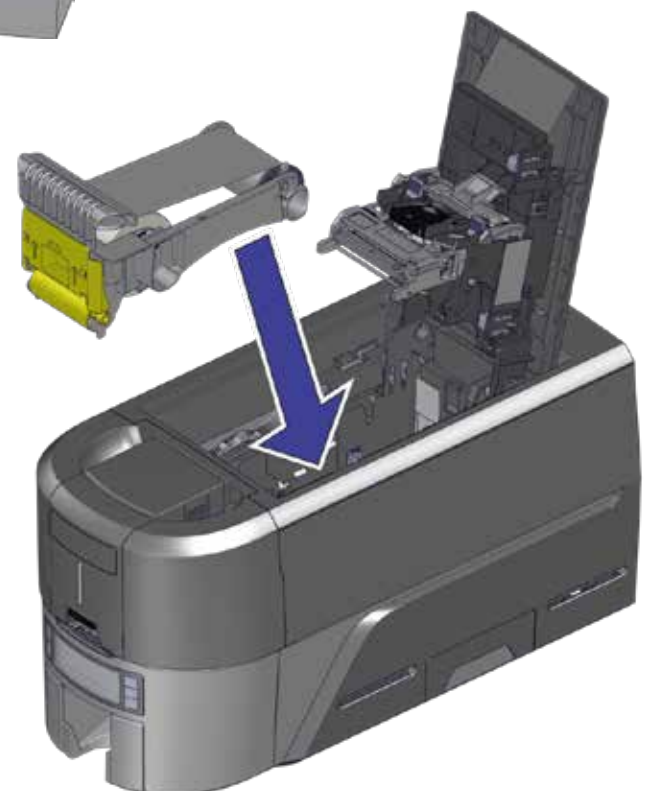


2

Refer to your ribbon supply box to prepare the ribbon.

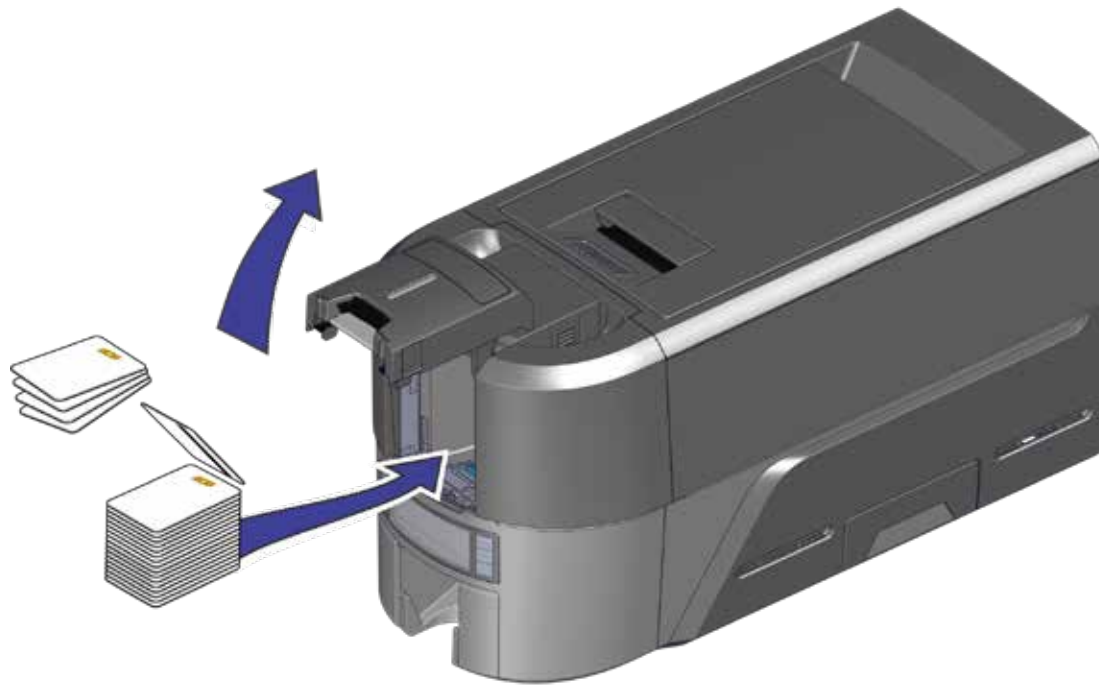


b



Continued

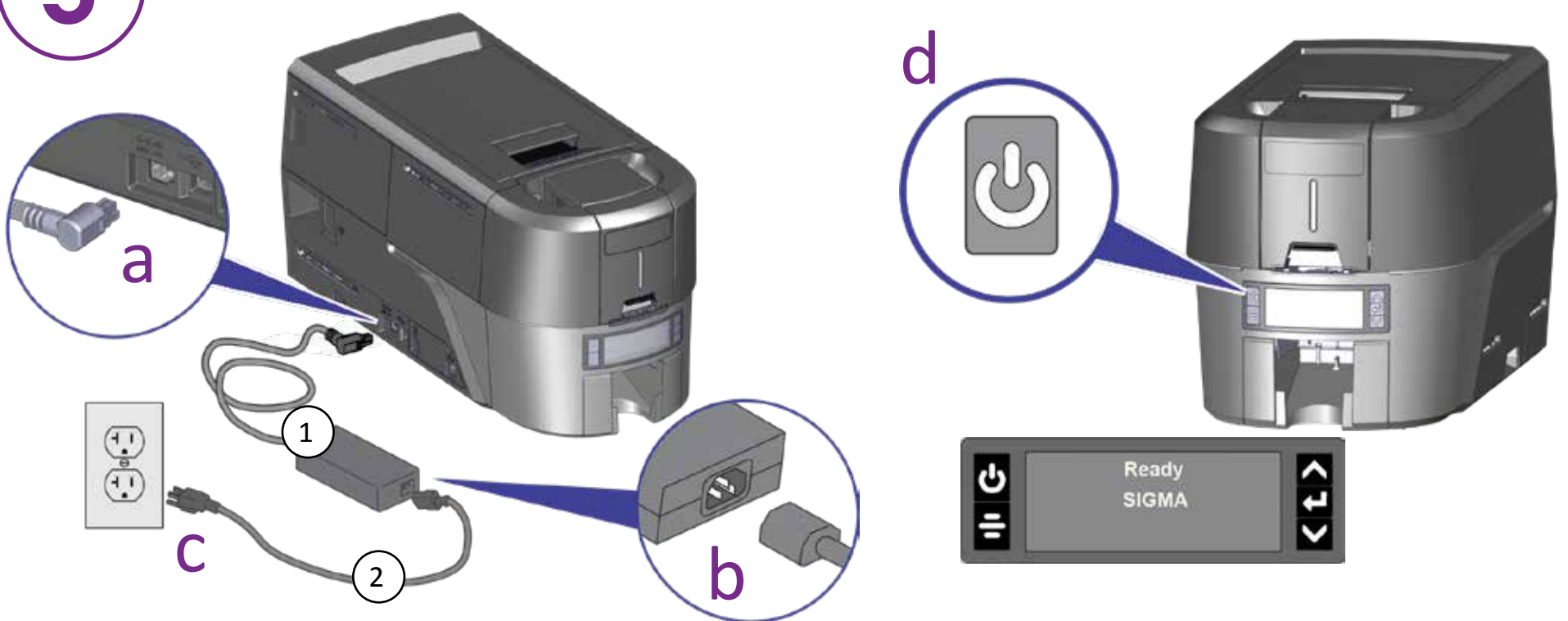
3



4

Refer to the Upgrade Kit instructions for each additional module you plan to add to the printer.

5



If you plan to connect the printer using the USB cable (4), do not plug in the cable until directed in the QuickInstaller.

6



Insert the USB flash drive into your PC and start the QuickInstaller.

OR



Connect to the Internet and download the QuickInstaller.

<https://www.entrust.com/sigma/printer-support/ds2/driver>